

# BFFD-05



Split Rooftop Bus A/C



Energy Saving



Safety



Light Weight



Comfortable



Recyclable



Intelligent

[www.clingac.com](http://www.clingac.com)

# BFFD-05



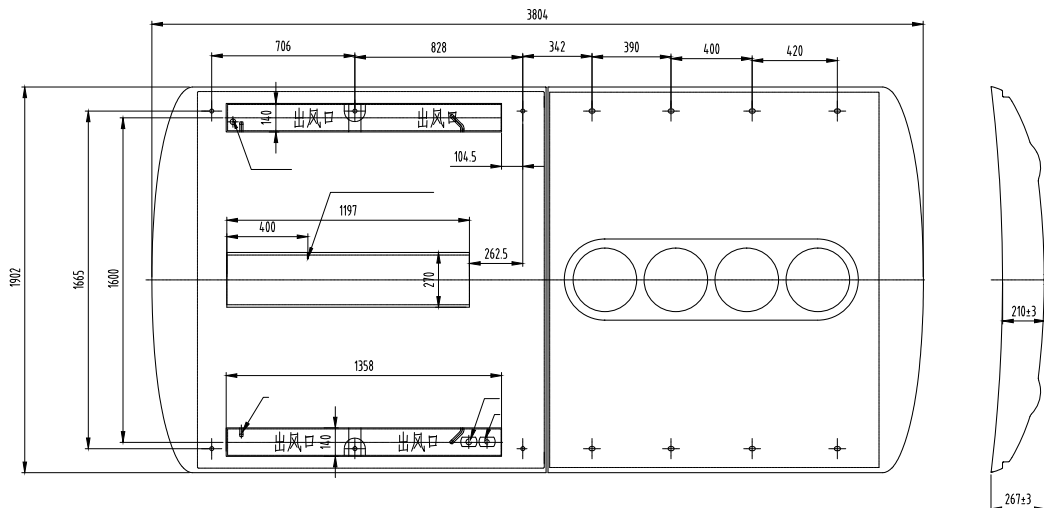
## Technical Data

Cooling Capacity(kcal/h)	28000
Max Power Consumption(A)	85
Evaporator Airflow(m <sup>3</sup> /h)	6000(6PCS)
Condenser Airflow(m <sup>3</sup> /h)	8000(4PCS)
Compressor Displacement(CC)	500-560
Refrigerant	R134a
Weight(kg)	215
Size (mm) L*W*H	3804*1902*195
Application(M)	10-11

- ✔ LFT-D structure
- ✔ Rubber and thermal insulation materials
- ✔ Noise level reduced more than 2dB
- ✔ Powerful cooling :Big margin design
- ✔ Patented CAN control
- ✔ Over 100,000 sets running globally since 2003



## Drawing



(Note: Size is for reference only)



Van



Double Decker Bus



City Bus



High Decker Bus



Intercity Bus



Shuttle Bus



Coach



School Bus

