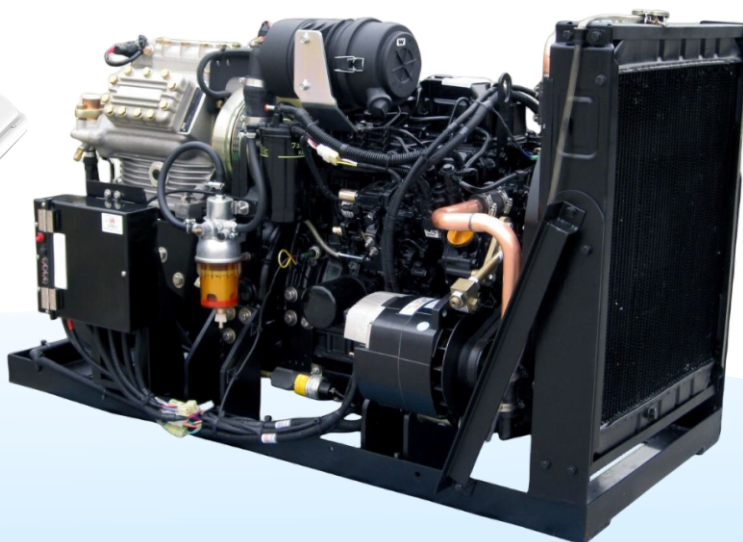


DFDD-05

Independent Air Conditioning Units



Energy Saving



Safety



Light Weight



Comfortable



Recyclable



Intelligent

www.clingac.com

DFDD-05



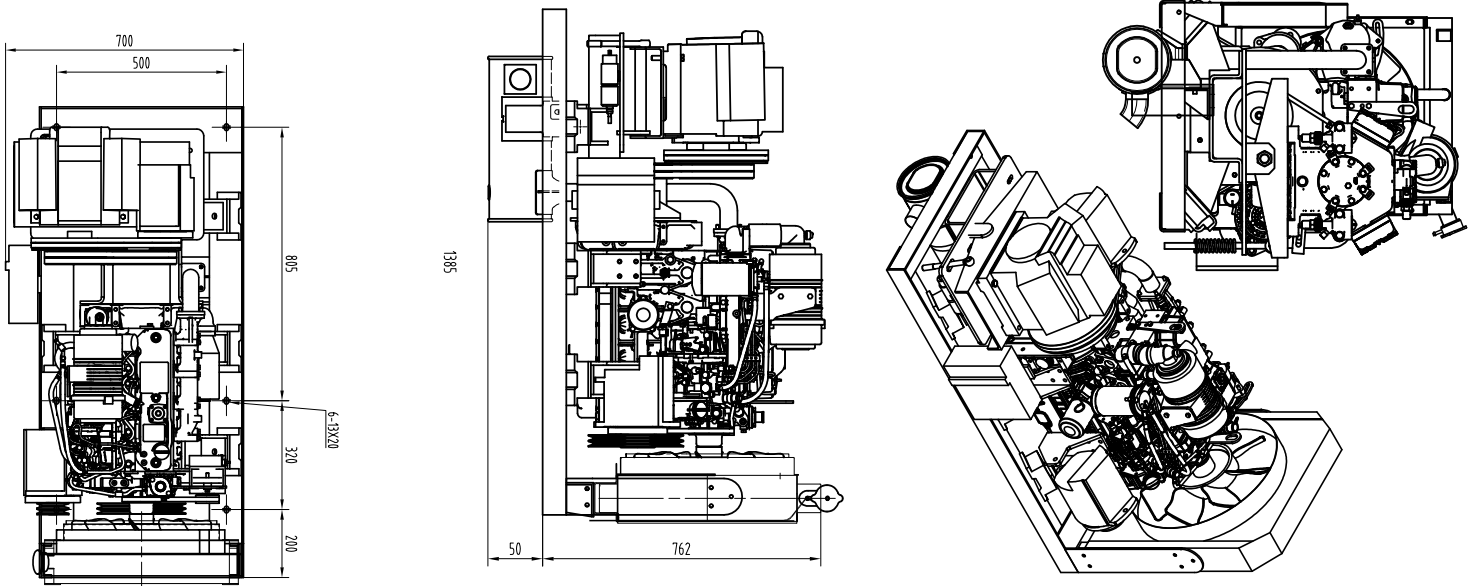
Technical Data

Cooling Capacity(kcal/h)	28000
Evaporator Airflow(m ³ /h)	6000(6pcs)
Condenser Airflow(m ³ /h)	8000(4pcs)
Compressor Displacement(CC)	550
Size(mm) L*W*H Rooftop Option	DD-05 SDD-05 BFFD-05
Application(M)	9-11

- Independent Operation**
 Air conditioners running independently to save fuel consumption when bus stops. With self-protection, timer function and maintenance reminder.
- Environmentally Friendly**
 Low noise, low fuel consumption, low emission and high torque engine.
- Safe**
 Active safety protection such as voltage, oil pressure and water temperature alarm.
- Easy Maintenance**
 Compact design, Convenient maintenance and installation.
- Patented CAN Control**
 modular design, digital communication



Drawing



Van



City Bus



Shuttle Bus



School Bus