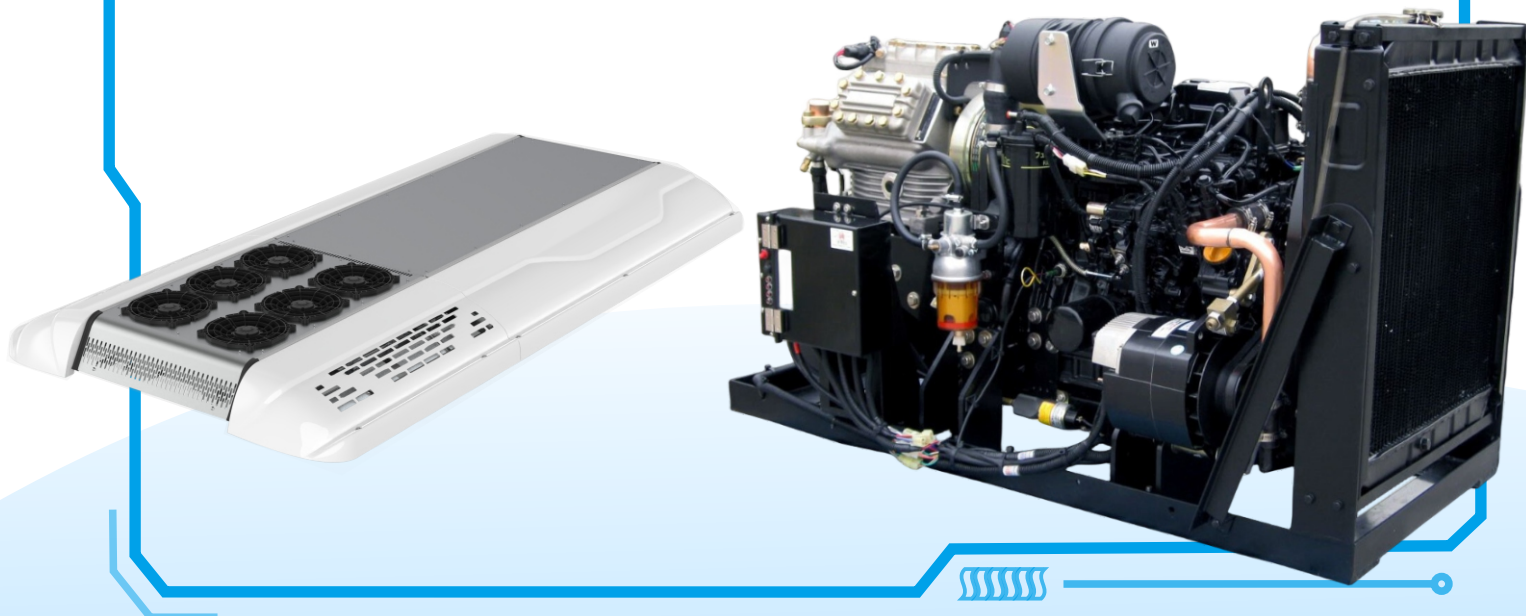


# DFDD-07

## Independent Air Conditioning Units



Energy Saving



Safety



Light Weight



Comfortable



Recyclable



Intelligent

[www.clingac.com](http://www.clingac.com)

# DFDD-07



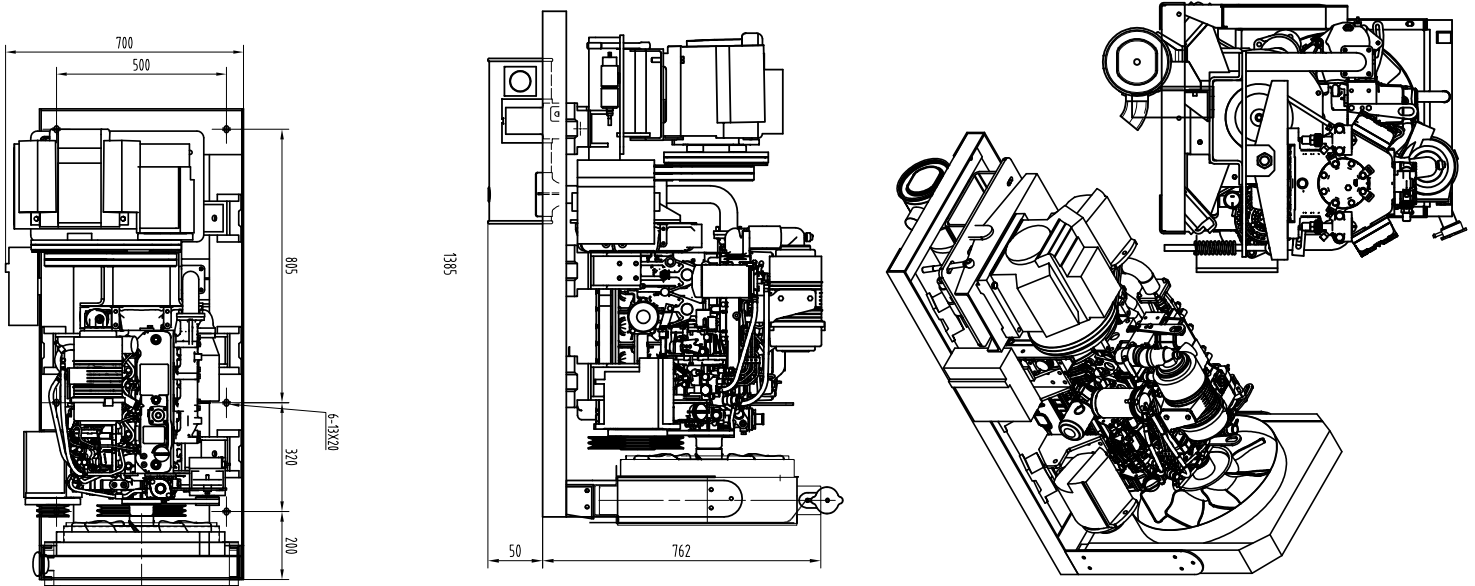
## Technical Data

Cooling Capacity(kcal/h)	38000
Evaporator Airflow(m <sup>3</sup> /h)	8000(8pcs)
Condenser Airflow(m <sup>3</sup> /h)	12000(6pcs)
Compressor Displacement(CC)	750
Size(mm) L*W*H Rooftop Option	DD-07
Application(M)	12-14

- Independent Operation**  
 Air conditioners running independently to save fuel consumption when bus stops. With self-protection, timer function and maintenance reminder.
- Environmentally Friendly**  
 Low noise, low fuel consumption, low emission and high torque engine.
- Safe**  
 Active safety protection such as voltage, oil pressure and water temperature alarm.
- Easy Maintenance**  
 Compact design, Convenient maintenance and installation.
- Patented CAN Control**  
 modular design, digital communication



## Drawing



Van



City Bus



Shuttle Bus



School Bus