

# FFND-01

## Built-in Bus A/C



Energy Saving



Safety



Light Weight



Comfortable



Recyclable



Intelligent

[www.clingac.com](http://www.clingac.com)

# FFND-01



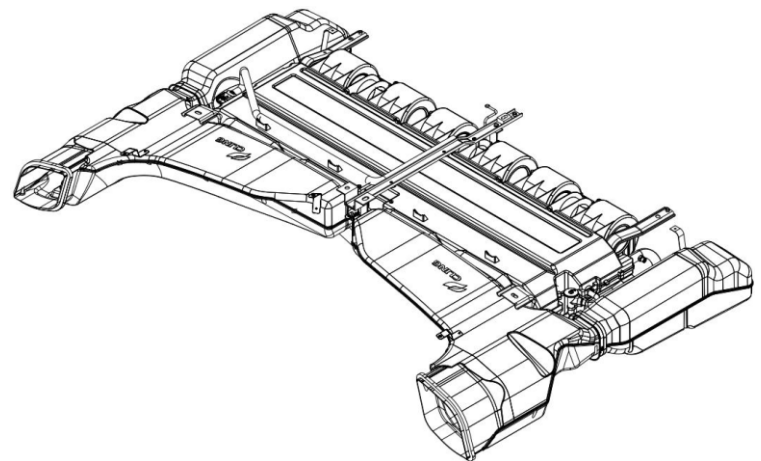
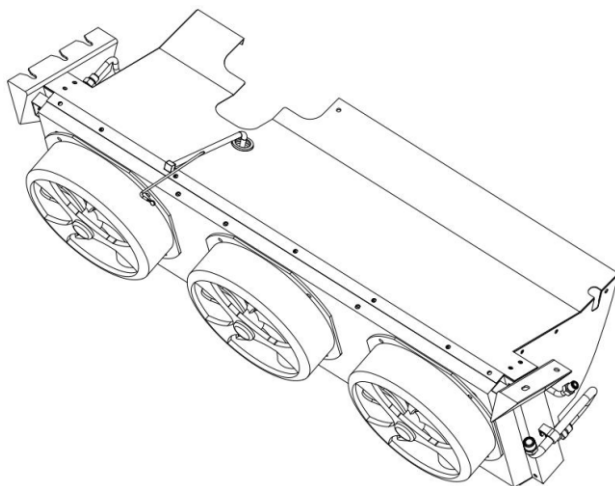
## Technical Data

Cooling Capacity(kcal/h)	14000
Evaporator Airflow(m <sup>3</sup> /h)	3000 (3pcs)
Condenser Airflow(m <sup>3</sup> /h)	4500(3pcs)
Compressor Displacement(CC)	310
Refrigerant	R134a
Condenser Size (mm) L*W*H	1096*361*357
Evaporator Size (mm) L*W*H	1667*629*175
Application	Coaster/T7

- Higher Efficiency**  
 Double-layer microchannel heat exchanger can increase efficiency.
- More Comfortable**  
 The partition temperature control makes more comfortable.
- Light Weight**  
 The evaporator is provided with a lightweight ABS injection molded housing.
- Patented CAN Control**  
 modular design, digital communication.



## Drawing



Van



Double Decker



City Bus



School Bus