

PZD-VI

Compact Rooftop Bus A/C



Energy Saving



Safety



Light Weight



Comfortable



Recyclable



Intelligent

www.clingac.com

PZD-VI



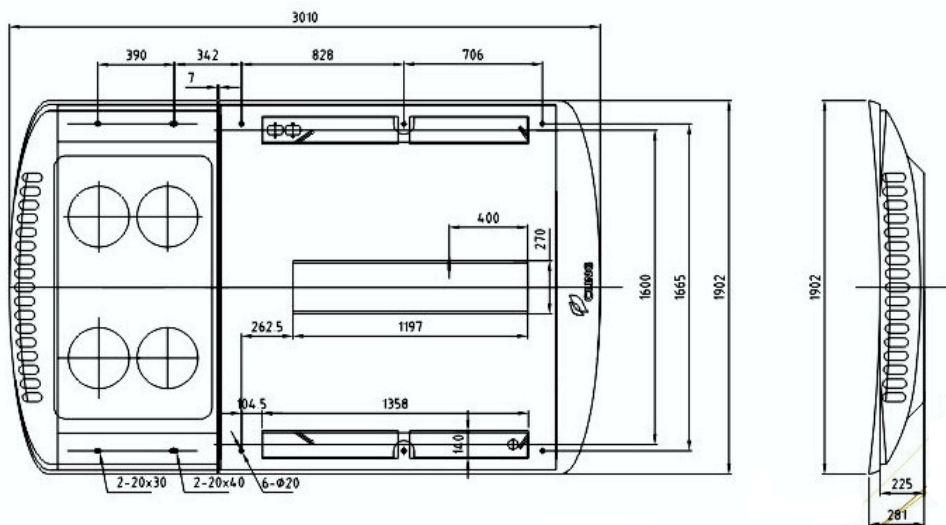
Technical Data

Cooling Capacity(kcal/h)	28000
Heating Capacity(kcal/h)	26000(Optional)
Max Power Consumption(A)	85
Evaporator Airflow(m ³ /h)	6000(6pcs)
Condenser Airflow(m ³ /h)	8000(4pcs)
Compressor Displacement(CC)	550
Refrigerant	R134a
Weight(kg)	200
Size (mm) L*W*H	3010*1902*225
Application(m)	10-11

- Front windward design: Micro-channel heat exchanger
- 100% DACROMET anti-corrosion coated coil suitable for harsh environment
- LFT-D Structure: ultralight, consistent, recyclable and rigid
- Rubber and thermal insulation materials: environmentally friendly
- Patented CAN control: modular design, digital communication
- Compressor Brand: VALEO, BITZER or BOCK



Drawing



Van



City Bus



School Bus