

PZD-VII

Compact Rooftop Bus A/C



Energy Saving



Safety



Light Weight



Comfortable



Recyclable



Intelligent

www.clingac.com

PZD-VII



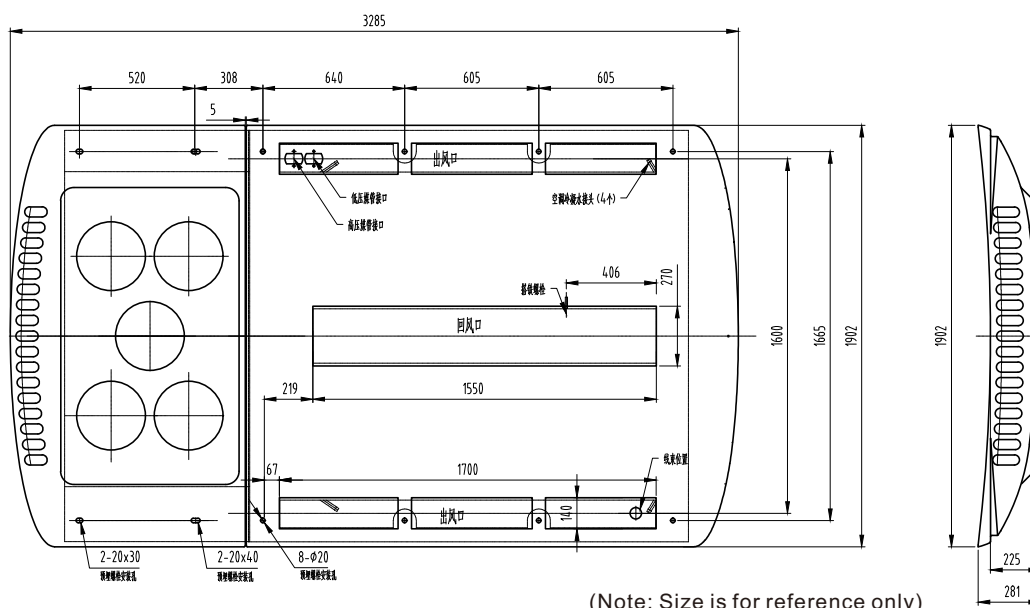
Technical Data

Cooling Capacity(kcal/h)	32000
Heating Capacity(kcal/h)	30000(Optional)
Max Power Consumption(A)	95
Evaporator Airflow(m ³ /h)	8000(8pcs)
Condenser Airflow(m ³ /h)	10000(5pcs)
Compressor Displacement(CC)	650
Refrigerant	R134a
Weight(kg)	235
Size (mm) L*W*H	3285*1902*225
Application(m)	11-13

- Front windward design:
Micro-channel heat exchanger
- 100% DACROMET anti-corrosion coated coil suitable for harsh environment
- LFT-D Structure:
ultralight, consistent,recyclable and rigid
- Rubber and thermal insulation materials:
environmentally friendly
- Patented CAN control:
modular design, digital communication
- Compressor Brand:
VALEO, BITZER or BOCK



Drawing



Van



City Bus



School Bus