

SDD-04

Compact Rooftop Bus A/C



Energy Saving



Safety



Light Weight



Comfortable



Recyclable



CAN system *

www.clingac.com



marketing@clingac.com



+86 187 3603 2501



Zhengzhou, Henan, China

SDD-04



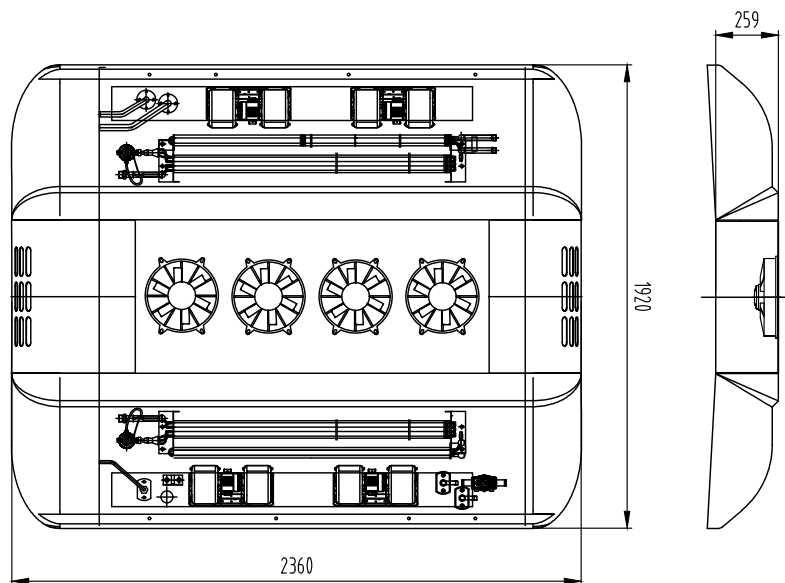
Technical Data

Cooling Capacity(kcal/h)	24000
Max Power Consumption (A)	75
Evaporator Airflow(m ³ /h)	4000(4pcs)
Condenser Airflow(m ³ /h)	6000(3pcs)
Compressor Displacement(CC)	558
Refrigerant	R134a
Weight(kg)	156
Size (mm) L*W*H	2500*2000*220
Application(m)	8-9m

- LFT-D structure: ultralight, recyclable
- Thermal insulation materials: anticorrosive, odorless and flame-retardant
- V type micro-channel heat exchanger optional: heat exchange surface increased 20%, cooling capacity 15% more
- Compact unit: 20% reduction in weight, heat exchange efficiency improved 20%, refrigerants charged 50% less



Drawing



(Note: Size is for reference only)



Van



Double Decker Bus



City Bus



High Decker Bus



Intercity Bus



Shuttle Bus



Coach



School Bus