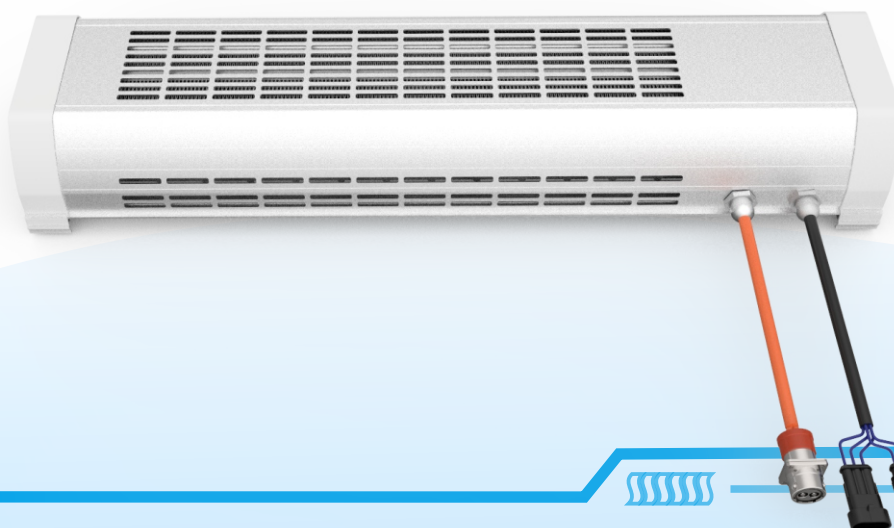


KLDS-01

Electric Convector



Energy Saving



Safety



Light Weight



Comfortable



Recyclable



Intelligent

www.clingac.com



marketing@clingac.com



+86 371 85335504



Zhengzhou, Henan ,China

KLDS-01



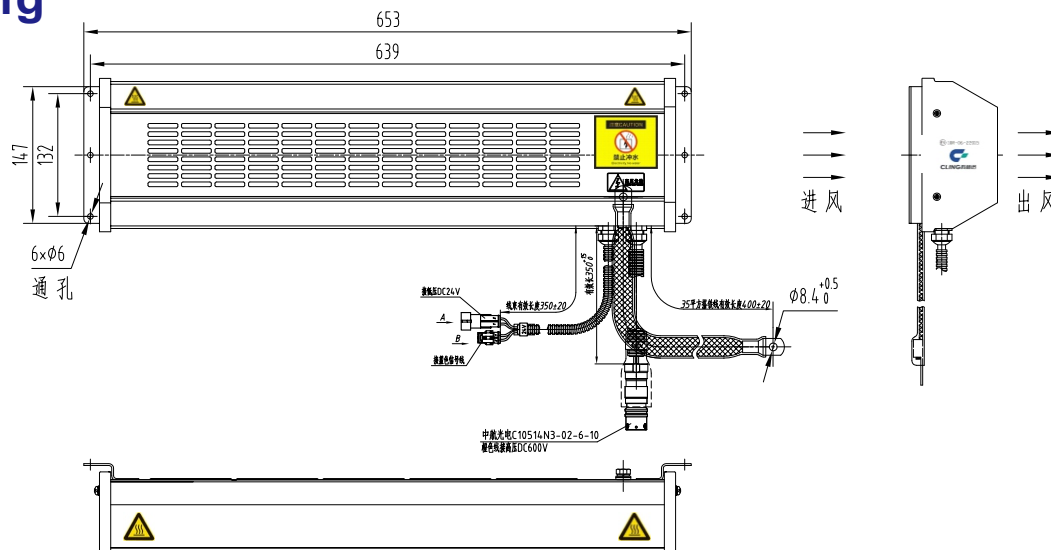
Technical Data

Heating(kW)	1.5
Airflow (m ³ /h)	170
Blower Power Consumption (W)	20
Blower (lifespan)	Brushless axil flow fan 20000h
Speed Mode	One shift
Dimension (mm) L*W*H	653*165*95
Weight (kg)	4.3
Protection Grade	IP54 as a whole part (IP68 for high-voltage components), EMC-3
Applicable Models	6-12M

- Quite&Comfy**
 Noise < 64dB, an enjoyable environment for passengers.
- Pleasing Appearance**
 Stream line & round corner design, nice looking, easy installation.
- Safe & Reliable**
 20000h long life span fans, IP68 high voltage protection, EMC grade 3, ground wire connection to guarantee safety.
- Various Options**
 Various heating capacities available; various configurations for harness direction, fan speed, dimensions.
- Bespoke Design**
 Airflow simulation analysis, specific designs for users habits.



Drawing



(Note: Size is for reference only)



Van



Double Decker Bus



City Bus



High Decker Bus



Intercity Bus



Shuttle Bus



Coach



School Bus